

REV.	DESCRIPTION	DATE

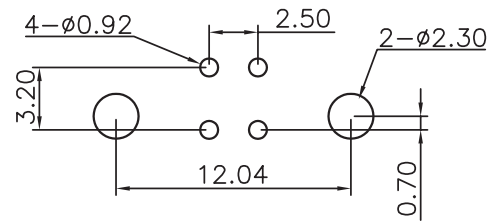
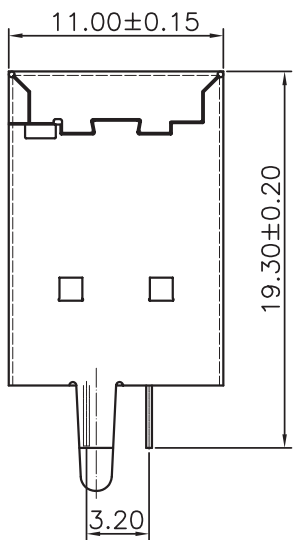
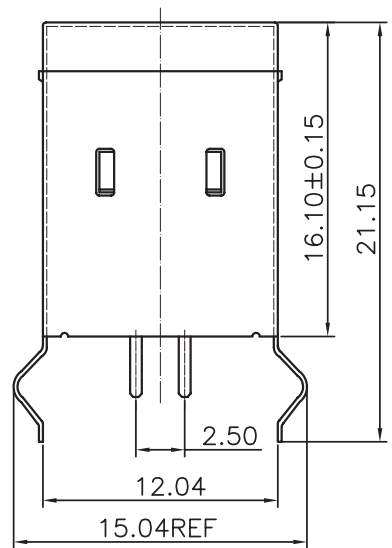
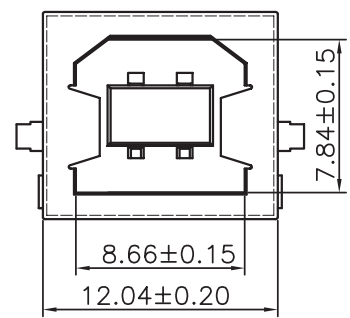
BPOB-316-4-XXX-X-G  
 RoHS Compliant  
 Color: A= Black  
 D= White

Contact Plating

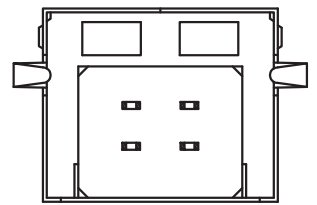
Definition	Code
Gold Flash	V01
Gold 15 $\mu$ "	V06
Gold 30 $\mu$	V08

SPECIFICATIONS

Current Rating: 1 Amps  
 Insulator Resistance: 1000 Megohms min.  
 Contact Resistance: 30 m ohms max.  
 Dielectric withstanding: AC 500V  
 Operating Temperature: -20°C~+85°C  
 Contact Material: Phosphor Bronze  
 Shell Material: Copper Alloy  
 Insulator Material: Polyester, UL 94V-0  
 Standard: P.B.T.  
 Finish: Gold Plated on contact area  
 Tin Plated on solder area



RECOMMENDED PCB LAYOUT



APTOS Technology CONFIDENTIAL  
 This document, and all information it contains, are the confidential, proprietary property of APTOS Technology. Disclosure, duplication or distribution of this document, or any information it contains, in whole or part, without prior written permission from APTOS Technology is strictly prohibited

GENERAL TOLERANCE UNLESS OTHERWISE SPECIFIED	
xxx. ± x	.xx ± 0.10
xx. ± x	.xxx ± x
x. ± x	x' ± 2'
.x ± 0.15	.x' ± x'

REV.	A	DRAWN	10/15/08
DATE	10/15/08	CHECKED	
SCALE	As shown	APPROVED	
UNIT	mm		SIZE A4



BPOB Series  
 Type B USB - 180° Mount  
 PRODUCT NO. BPOB-316-4-XXX-X-G  
 FILE NAME: BPOB 316 LF APD.DWG